

Technical data sheet



Product features

Manual bakery oven 2x GN 2/1 - 8 kW

Model	SAP Code	00008898
--------------	-----------------	----------



- GN / EN size in device: GN 2/1
- Control type: Mechanical
- Humidity control: No
- Delta T heat preparation: No
- Automatic preheating: No

SAP Code	00008898	Power electric [kW]	8.000
Net Width [mm]	950	Loading	400 V / 3N - 50 Hz
Net Depth [mm]	903	GN / EN size in device	GN 2/1
Net Height [mm]	1152	Control type	Mechanical
Net Weight [kg]	108.50		

Technical data sheet



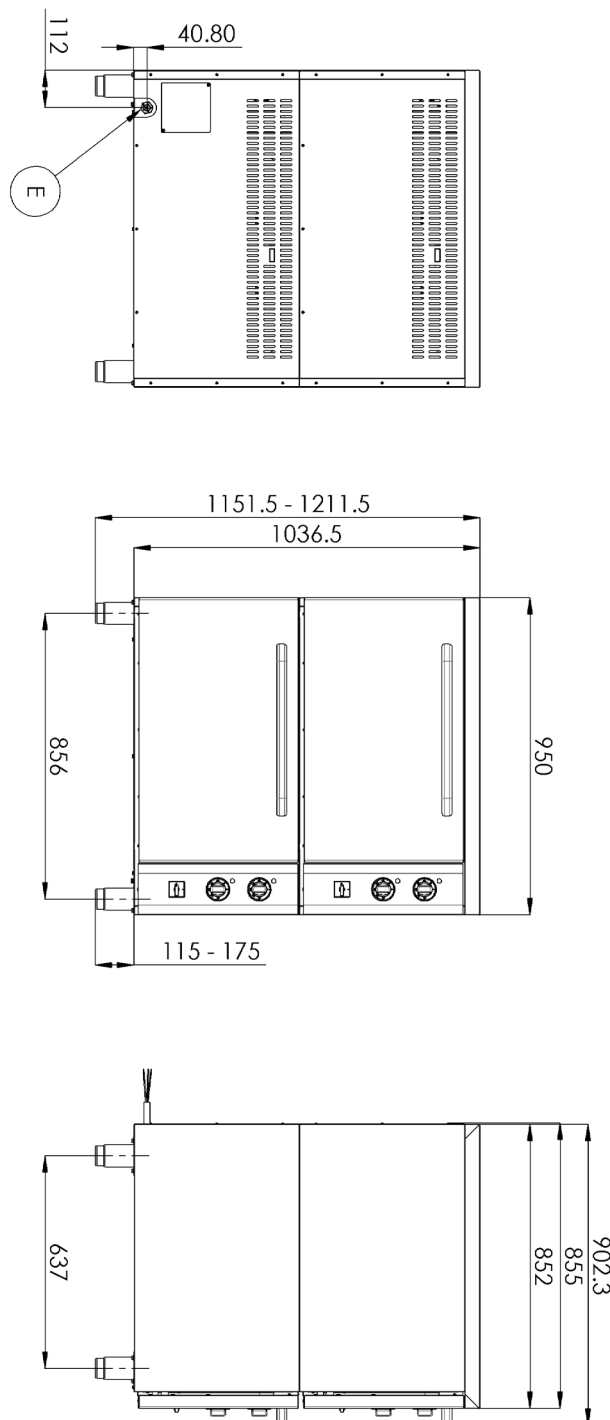
Technical drawing

Manual bakery oven 2x GN 2/1 - 8 kW

Model

SAP Code

00008898



Technical data sheet



Product benefits

Manual bakery oven 2x GN 2/1 - 8 kW

Model

SAP Code

00008898

1

All-stainless steel construction

round construction with stainless steel, rounded edges

- easy cleaning, high hygiene standard, long service life

2

Manual controls

setting values using rotary knobs

- suitable for roasting
- easy to use even for non-technical operators

3

Separate regulation

separate control of the upper and lower heating elements

- possibility of baking from above, below or both sides at the same time

4

Two types of power input

the option of choosing from two power sources without the need for an extra charge

- no need to change the local power supply

Technical data sheet



Technical parameters

Manual bakery oven 2x GN 2/1 - 8 kW

Model

SAP Code

00008898

1. SAP Code:

00008898

2. Net Width [mm]:

950

3. Net Depth [mm]:

903

4. Net Height [mm]:

1152

5. Net Weight [kg]:

108.50

6. Gross Width [mm]:

1015

7. Gross depth [mm]:

975

8. Gross Height [mm]:

1327

9. Gross Weight [kg]:

122.10

10. Device type:

Electric unit

11. Power electric [kW]:

8.000

12. Loading:

400 V / 3N - 50 Hz

13. Material:

Stainless steel

14. Exterior color of the device:

Stainless steel

15. Humidity control:

No

16. Stacking availability:

Yes

17. Control type:

Mechanical

18. Chimney for moisture extraction:

No

19. Delta T heat preparation:

No

20. Automatic preheating:

No

21. Cavity material and shape:

AISI 304, with rounded corners for easy cleaning

22. Probe:

No

23. Smoke-dry function:

No

24. Interior lighting:

No

25. Low temperature heat treatment:

No

26. USB port:

No

27. Device heating type:

Static baking

28. GN / EN size in device:

GN 2/1

Technical data sheet



Technical parameters

Manual bakery oven 2x GN 2/1 - 8 kW

Model

SAP Code

00008898

29. Food regeneration:

No

31. Diameter nominal:

DN 50

30. Cross-section of conductors CU [mm²]:

1,5

– Výkon (kW): 5-5,7 (230 V); 8,7-9,8 (400 V)

32. Water supply connection:

3/4"